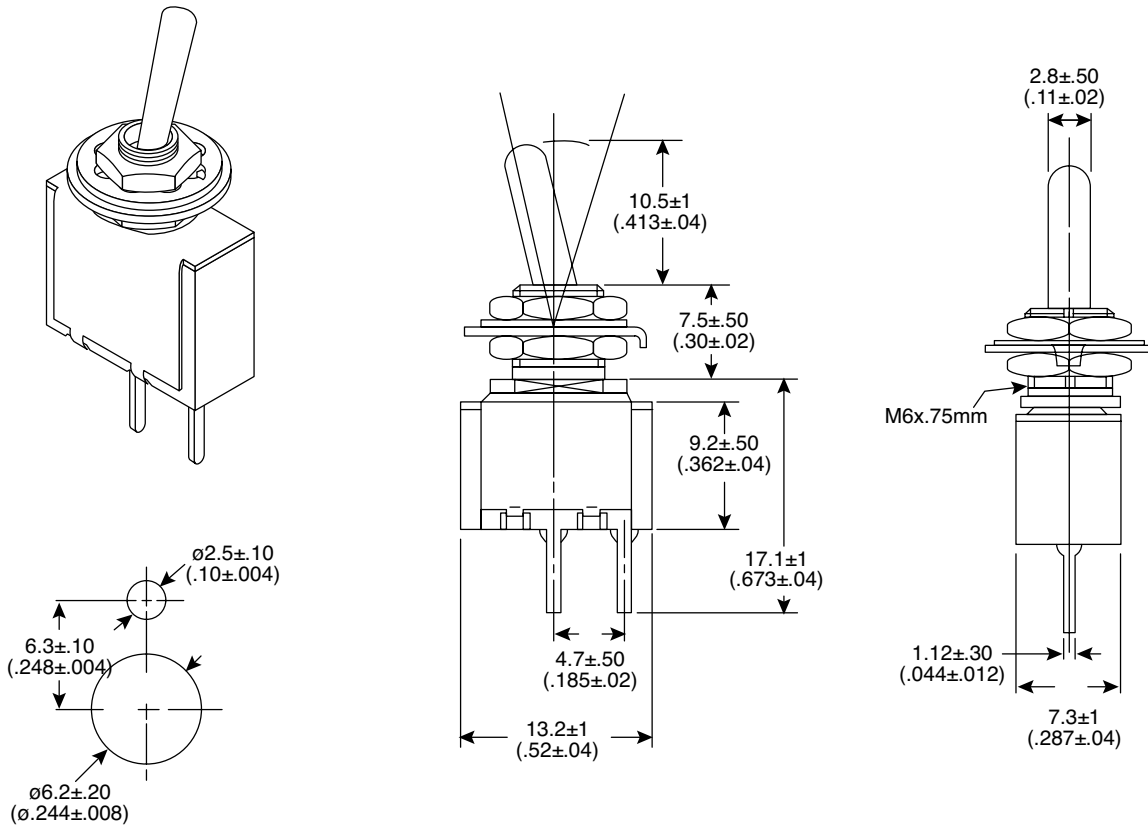


Dimensions: mm (in)



Electrical Specifications:

- Rating: 6A/125VAC, 3A/250VAC
- Contact resistance: 50m Ω max
- Insulation resistance: 500VDC 100M Ω min
- Dielectric strength: 1000VAC for 1 minute

Mechanical Specifications:

- Operating temperature: -20°C ~ +65°C
- Circuit: 2P SPST On-Off

Note

- RoHS Compliant by Exemption

Miniature Toggle Switch
1055-TA1320B-EVX



Available from Mouser Electronics

www.mouser.com

1-800-346-6873